



# Product Specification

M190EG01 V3

AU OPTRONICS CORPORATION

( ) Preliminary Specification

( V ) Final Specification

|                   |                          |
|-------------------|--------------------------|
| <b>Module</b>     | 19.0" SXGA Color TFT-LCD |
| <b>Model Name</b> | M190EG01 V3              |

| Customer                                                      | Date  |
|---------------------------------------------------------------|-------|
| _____                                                         | _____ |
| <b>Approved by</b>                                            |       |
| _____                                                         | _____ |
| Note: This Specification is subject to change without notice. |       |

| Checked & Approved by                                        | Date                 |
|--------------------------------------------------------------|----------------------|
| <u>Debbie Chiu</u>                                           | <u>Nov. 27, 2009</u> |
| <b>Prepared by</b>                                           |                      |
| <u>Jimmy Tsai</u>                                            | <u>Nov. 26, 2009</u> |
| Desktop Display Business Group /<br>AU Optronics corporation |                      |



# Product Specification

M190EG01 V3

AU OPTRONICS CORPORATION

## Record of Revision

| Version and Date | Page | Old description                                 | New Description                                 | Remark  |
|------------------|------|-------------------------------------------------|-------------------------------------------------|---------|
| 0.1 2009/3/31    | All  | First Edition for Customer                      |                                                 |         |
| 0.2 2009/4/22    | 15   | VDD= 5.0V, All White Pattern At 75Hz            | VDD= 5.0V, All White Pattern At 60Hz            | Revised |
| 1.0 2009/10/26   | 6,7  | Contrast ratio=1300:1                           | Contrast ratio=2000:1                           | Revised |
| 1.0 2009/10/30   | 15   | IDD input current typ=1.5 Max=1.8               | IDD input current typ=1 Max=1.2                 | Revised |
| 1.0 2009/10/30   | 15   | PDD VDD power typ=7.5 Max=9                     | PDD VDD power typ=5 Max=6                       | Revised |
| 1.0 2009/11/5    | 16   | Old Parameter guideline for CCFL Inverter table | New Parameter guideline for CCFL Inverter table | Revised |
| 1.1 2009/11/26   | 24   | None                                            |                                                 | Revised |
|                  |      |                                                 |                                                 |         |



# Product Specification

M190EG01 V3

AU OPTRONICS CORPORATION

## Contents

|                                                |           |
|------------------------------------------------|-----------|
| <b>1. Handling Precautions</b> .....           | <b>4</b>  |
| <b>2. General Description</b> .....            | <b>5</b>  |
| 2.1 Display Characteristics .....              | 6         |
| <b>3. Functional Block Diagram</b> .....       | <b>12</b> |
| <b>4. Absolute Maximum Ratings</b> .....       | <b>13</b> |
| 4.1 Absolute Ratings of TFT LCD Module.....    | 13        |
| 4.2 Absolute Ratings of Backlight Unit .....   | 13        |
| 4.3 Absolute Ratings of Environment .....      | 13        |
| <b>5. Electrical characteristics</b> .....     | <b>15</b> |
| 5.1 TFT LCD Module .....                       | 15        |
| 5.2 Backlight Unit.....                        | 16        |
| <b>6. Signal Characteristic</b> .....          | <b>17</b> |
| 6.1 Pixel Format Image.....                    | 17        |
| 6.2 The Input Data Format .....                | 18        |
| 6.4 Interface Timing .....                     | 20        |
| 6.5 Power ON/OFF Sequence .....                | 22        |
| <b>7. Connector &amp; Pin Assignment</b> ..... | <b>23</b> |
| 7.1 TFT LCD Module .....                       | 23        |
| 7.2 Backlight Unit.....                        | 24        |
| <b>8. Reliability Test</b> .....               | <b>25</b> |
| <b>9. Label and Packaging</b> .....            | <b>26</b> |
| <b>10. Mechanical Characteristic</b> .....     | <b>27</b> |



## 1. Handling Precautions

- 1) Since front polarizer is easily damaged, pay attention not to scratch it.
- 2) Be sure to turn off power supply when inserting or disconnecting from input connector.
- 3) Wipe off water drop immediately. Long contact with water may cause discoloration or spots.
- 4) When the panel surface is soiled, wipe it with absorbent cotton or other soft cloth.
- 5) Since the panel is made of glass, it may break or crack if dropped or bumped on hard surface.
- 6) Since CMOS LSI is used in this module, take care of static electricity and insure human earth when handling.
- 7) Do not open or modify the Module Assembly.
- 8) Do not press the reflector sheet at the back of the module to any directions.
- 9) In case if a Module has to be put back into the packing container slot after once it was taken out from the container, do not press the center of the CCFL reflector edge. Instead, press at the far ends of the CCFL Reflector edge softly. Otherwise the TFT Module may be damaged.
- 10) At the insertion or removal of the Signal Interface Connector, be sure not to rotate nor tilt the Interface Connector of the TFT Module.
- 11) After installation of the TFT Module into an enclosure, do not twist nor bend the TFT Module even momentary. At designing the enclosure, it should be taken into consideration that no bending/twisting forces are applied to the TFT Module from outside. Otherwise the TFT Module may be damaged.
- 12) Cold cathode fluorescent lamp in LCD contains a small amount of mercury. Please follow local ordinances or regulations for disposal.
- 13) Small amount of materials having no flammability grade is used in the LCD module. The LCD module should be supplied by power complied with requirements of Limited Power Source (IEC60950 or UL1950), or be applied exemption.
- 14) The LCD module is designed so that the CCFL in it is supplied by Limited Current Circuit (IEC60950 or UL1950). Do not connect the CCFL in Hazardous Voltage Circuit.



# Product Specification

M190EG01 V3

AU OPTRONICS CORPORATION

## 2. General Description

M190EG01 V3 is a Color Active Matrix Liquid Crystal Display composed of a TFT-LCD panel, a driver circuit, and backlight system. The screen format is intended to support the SXGA (1280(H) x 1024(V)) screen and 16.7M colors 8-bits. All input signals are LVDS interface compatible. Inverter card of backlight is not included. M190EG01 V3 is designed for a general display unit.



# Product Specification

M190EG01 V3

AU OPTRONICS CORPORATION

## 2.1 Display Characteristics

The following items are characteristics summary on the table under 25 °C condition:

| Items                     | Unit                 | Specifications                                  |
|---------------------------|----------------------|-------------------------------------------------|
| Screen Diagonal           | [mm]                 | 482.6 (19.0" )                                  |
| Active Area               | [mm]                 | 376.32 (H) x 301.056 (V)                        |
| Pixels H x V              |                      | 1280(x3) x 1024                                 |
| Pixel Pitch               | [mm]                 | 0.294 (per one triad) x 0.294                   |
| Pixel Arrangement         |                      | R.G.B. Vertical Stripe                          |
| Display Mode              |                      | Normally Black                                  |
| White Luminance           | [cd/m <sup>2</sup> ] | 300 (center, Typ) @ 7.5mA                       |
| Contrast Ratio            |                      | 2000 : 1 (Typ)                                  |
| Optical ResponseTime      | [msec]               | 8ms GTG (Avg. Typ.); 20 ms(Typ, on/off)         |
| Nominal Input Voltage VDD | [Volt]               | +5.0 V                                          |
| Power Consumption         | [Watt]               | 28 W (Typ)<br>(w/o Inverter, All white pattern) |
| Weight                    | [Grams]              | 2500 (Typ) ; 2700 (Max)                         |
| Physical Size (H x V x D) | [mm]                 | 396 (H) x 324 (V) x 17.5 (D) (Typ)              |
| Electrical Interface      |                      | Dual channel LVDS                               |
| Surface Treatment         |                      | Anti-Glare treatment                            |
| Support Color             |                      | 16.7M colors 8-bits                             |
| Temperature Range         |                      |                                                 |
| Operating                 | [°C]                 | 0 to +50                                        |
| Storage (Non-Operating)   | [°C]                 | -20 to +60                                      |
| RoHS Compliance           |                      | RoHS Compliance                                 |



# Product Specification

M190EG01 V3

AU OPTRONICS CORPORATION

## 2.2 Optical Characteristics

The optical characteristics are measured under stable conditions at 25°C (Room Temperature):

| Item                                        | Unit                 | Conditions                           | Min.     | Typ.     | Max.  | Note |     |
|---------------------------------------------|----------------------|--------------------------------------|----------|----------|-------|------|-----|
| Viewing Angle                               | [degree]             | Horizontal (Right)<br>CR = 10 (Left) | 75<br>75 | 89<br>89 | -     | 1    |     |
|                                             |                      | Vertical (Up)<br>CR = 10 (Down)      | 75<br>75 | 89<br>89 | -     |      |     |
| Luminance Uniformity                        | [%]                  | 9 Points                             | 75       | 80       | -     | 2, 3 |     |
| Response time                               | [msec]               | Rising                               |          | 15       | 25    | 4,6  |     |
|                                             |                      | Falling                              |          | 5        | 15    | 4,6  |     |
|                                             |                      | Rising + Falling                     |          |          | 20    | 40   | 4,6 |
|                                             |                      | Grey to Grey (Avg.)                  | -        | 8        | 16    | 4,6  |     |
| Color / Chromaticity Coordinates (CIE 1931) |                      | Red x                                | 0.617    | 0.647    | 0.677 | 4    |     |
|                                             |                      | Red y                                | 0.31     | 0.34     | 0.37  |      |     |
|                                             |                      | Green x                              | 0.263    | 0.293    | 0.323 |      |     |
|                                             |                      | Green y                              | 0.571    | 0.601    | 0.641 |      |     |
|                                             |                      | Blue x                               | 0.112    | 0.142    | 0.172 |      |     |
|                                             |                      | Blue y                               | 0.037    | 0.067    | 0.099 |      |     |
|                                             |                      | White x                              | 0.283    | 0.313    | 0.34  |      |     |
| White y                                     | 0.299                | 0.329                                | 0.359    |          |       |      |     |
| Black Luminance (At CCFL=7.5mA)             | [cd/m <sup>2</sup> ] |                                      |          | 0.15     | 0.5   | 4    |     |
| White Luminance (At CCFL= 7.5mA)            | [cd/m <sup>2</sup> ] |                                      | 240      | 300      | -     | 4    |     |
| Contrast Ratio                              |                      |                                      | 1000     | 2000     | -     | 4    |     |
| Cross Talk (At 75Hz)                        | [%]                  |                                      | -        | -        | 1.5   | 5    |     |
| Flicker                                     | [dB]                 |                                      | -        | -        | -20   | 7    |     |

Optical Equipment: BM-5A, PR880, SR3, CS1000 or equivalent.



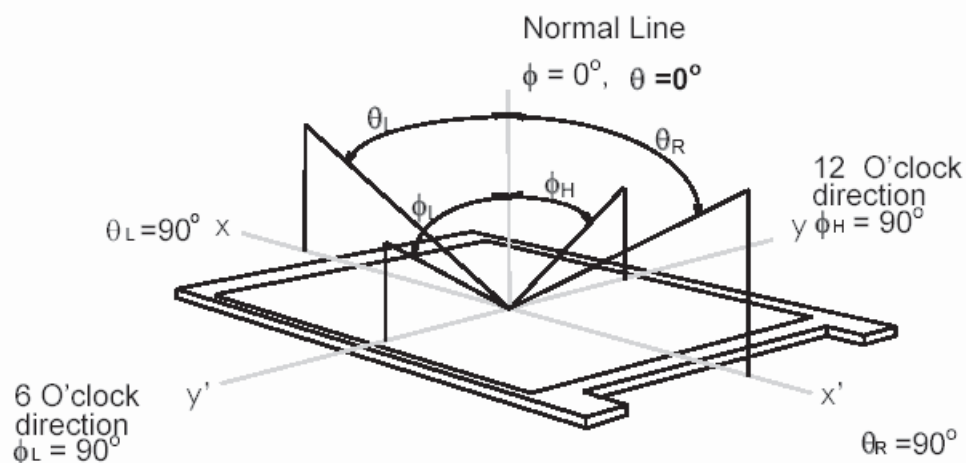
# Product Specification

M190EG01 V3

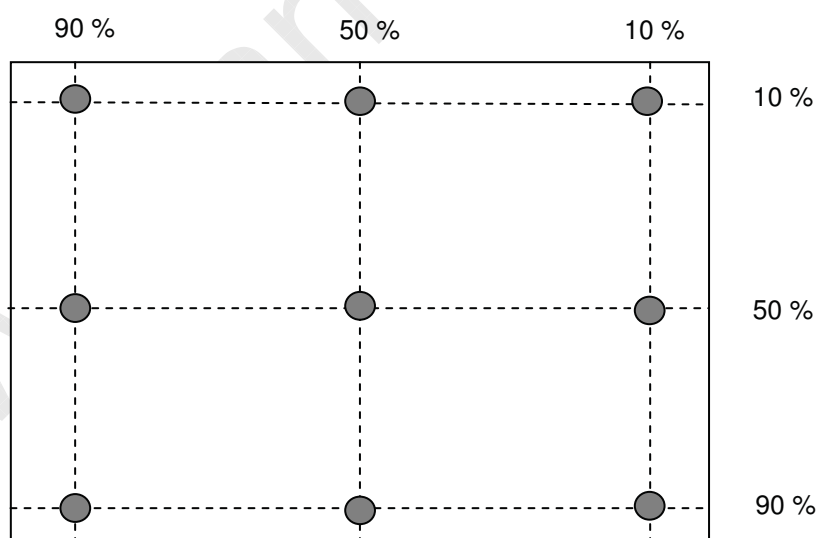
AU OPTRONICS CORPORATION

## Note 1: Definition of viewing angle

Viewing angle is the measurement of contrast ratio  $\geq 10$ , at the screen center, over a  $180^\circ$  horizontal and  $180^\circ$  vertical range (off-normal viewing angles). The  $180^\circ$  viewing angle range is broken down as follows;  $90^\circ$  ( $\theta$ ) horizontal left and right and  $90^\circ$  ( $\Phi$ ) vertical, high (up) and low (down). The measurement direction is typically perpendicular to the display surface with the screen rotated about its center to develop the desired measurement viewing angle.



## Note 2: 9 points position



Note 3: The luminance uniformity of 9 points is defined by dividing the maximum luminance values by the minimum test point luminance

$$\delta_{w9} = \frac{\text{Minimum Luminance of 9 points}}{\text{Maximum Luminance of 9 points}}$$





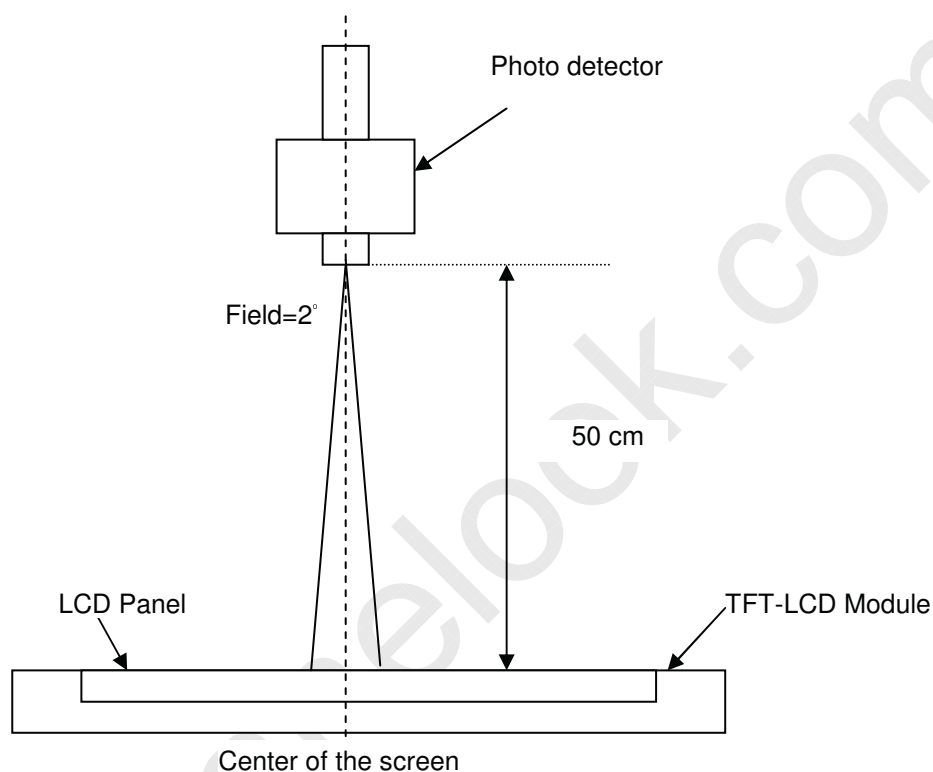
# Product Specification

M190EG01 V3

AU OPTRONICS CORPORATION

## Note 4: Measurement method

The LCD module should be stabilized at given temperature for 30 minutes to avoid abrupt temperature change during measuring. In order to stabilize the luminance, the measurement should be executed after lighting Backlight for 30 minutes in a stable, windless and dark room.



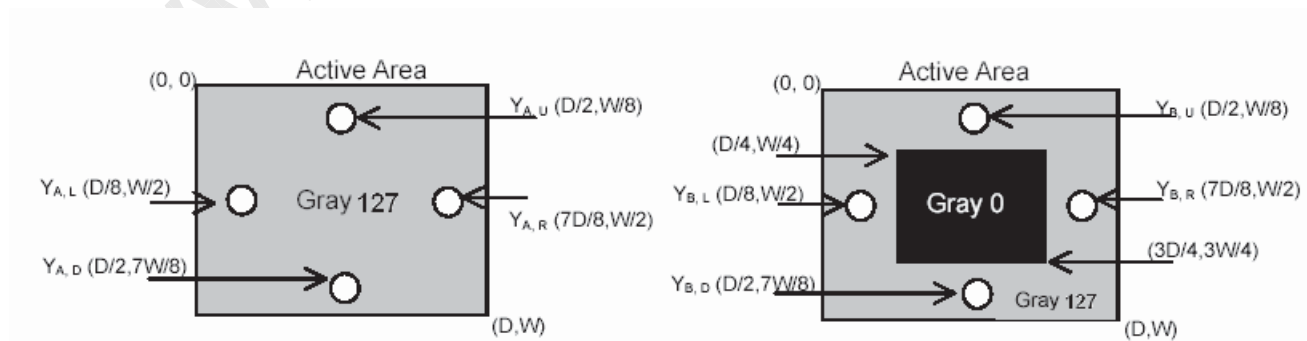
## Note 5: Definition of Cross Talk (CT)

$$CT = | Y_B - Y_A | / Y_A \times 100 (\%)$$

Where

$Y_A$  = Luminance of measured location without gray level 0 pattern (cd/m<sup>2</sup>)

$Y_B$  = Luminance of measured location with gray level 0 pattern (cd/m<sup>2</sup>)



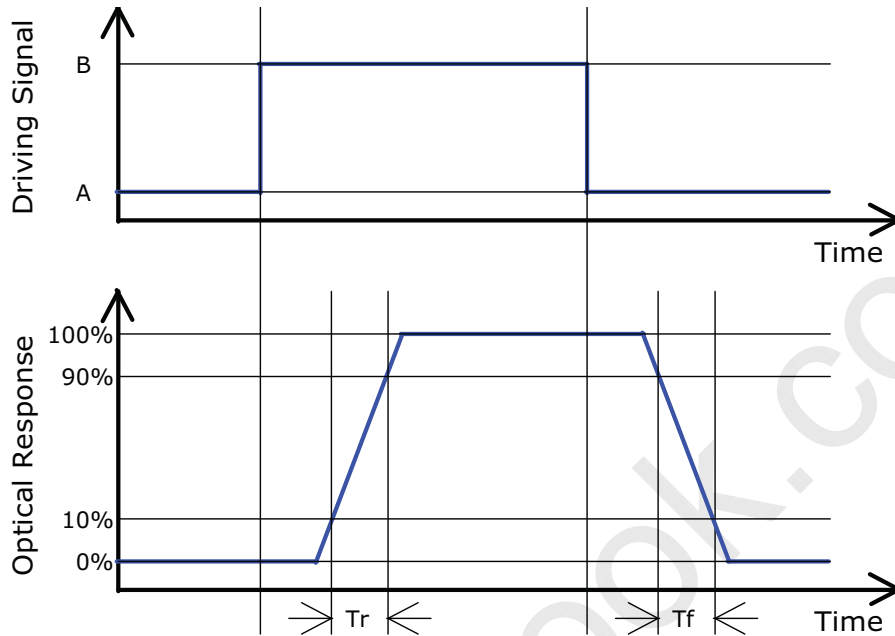


# Product Specification

M190EG01 V3

AU OPTRONICS CORPORATION

Note 6: Definition of response time:

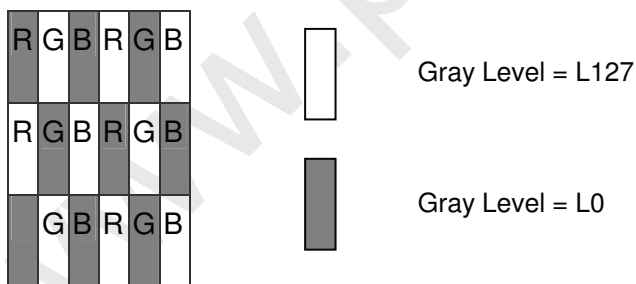


Algorithm:

$|\text{Level A} - \text{Level B}| \geq 16$  then the average of Grey-to-Grey response time is 8ms. ( F= 60 Hz).

$T_{R}(\text{rising time; from "All Black" to "All White"}) + T_{F}(\text{Falling time; from "All White" to "All Black"}) = 20\text{ms}(\text{typ})$ .

Note 7: Subchecker Pattern



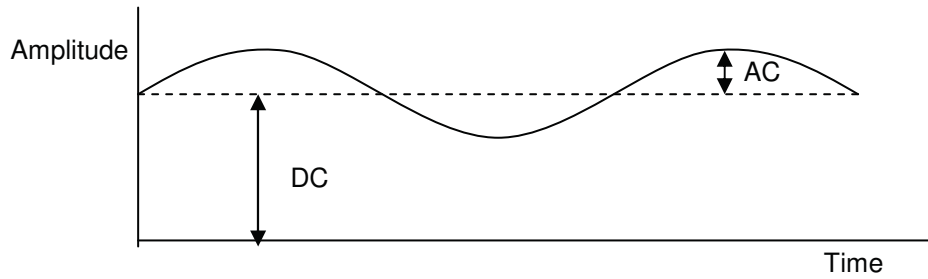
Method: Record dBV & DC value with (WESTAR)TRD-100



# Product Specification

M190EG01 V3

AU OPTRONICS CORPORATION



$$\text{Flicker (dB)} = 20 \log \frac{\text{AC Level(at 30 Hz)}}{\text{DC Level}}$$

## Note 8: Color Grayscale Linearity

- Test image : 100% full white pattern with a test pattern as below
- Test pattern : Squares, 40mm by 40mm in size, filled with 255, 225, 195, 165, 135 and 105 grays steps should be arranged at the center of the screen.
- Test method
  - 1<sup>st</sup> gray scale : Move a square of 255 gray level should be moved into the center of the screen and measure luminance and  $u'$  and  $v'$  coordinates.
  - Next gray step : Move a 225 gray square into the center and measure both luminance and coordinates, too.
- Test evaluation

$$\Delta u'v' = \sqrt{(u'_A - u'_B)^2 + (v'_A - v'_B)^2}$$

Where A,B : 2 gray levels found to have the largest color differences between them

i.e. get largest  $\Delta u'$  and  $\Delta v'$  of each 6 pair of  $u'$  and  $v'$  and calculate  $\Delta u'v'$





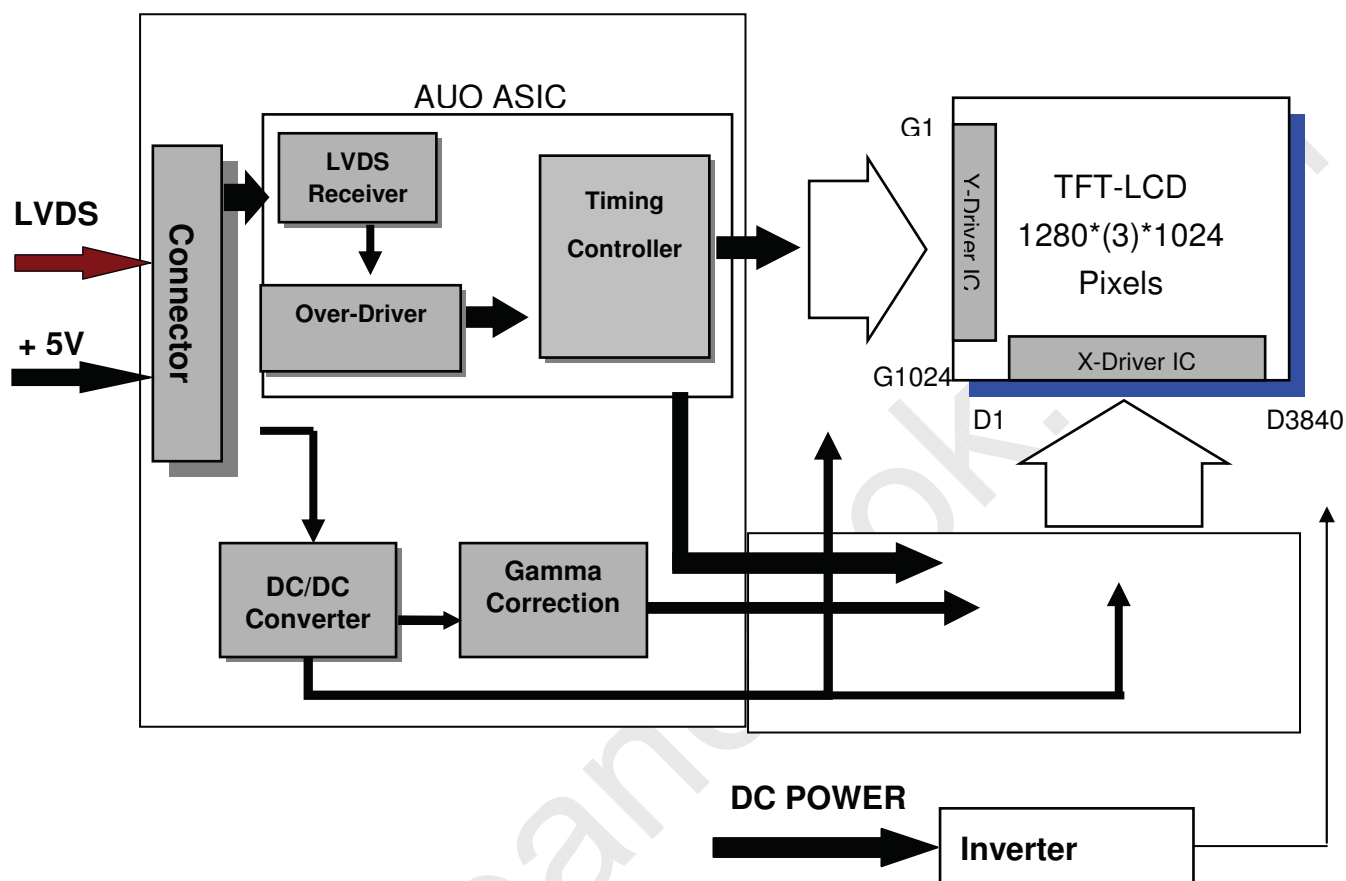
# Product Specification

M190EG01 V3

AU OPTRONICS CORPORATION

## 3. Functional Block Diagram

The following diagram shows the functional block of the 19.0 inches Color TFT-LCD Module:





# Product Specification

M190EG01 V3

AU OPTRONICS CORPORATION

## 4. Absolute Maximum Ratings

Absolute maximum ratings of the module is as following:

### 4.1 Absolute Ratings of TFT LCD Module

| Item                    | Symbol | Min. | Max. | Unit   | Conditions |
|-------------------------|--------|------|------|--------|------------|
| Logic/LCD Drive Voltage | VDD    | -0.3 | +6   | [Volt] | Note 1, 2  |

### 4.2 Absolute Ratings of Backlight Unit

| Item         | Symbol | Min. | Max. | Unit     | Conditions |
|--------------|--------|------|------|----------|------------|
| CCFL Current | ICFL   | -    | 8    | [mA] rms | Note 1, 2  |

### 4.3 Absolute Ratings of Environment

| Item                  | Symbol | Min. | Max. | Unit  | Conditions |
|-----------------------|--------|------|------|-------|------------|
| Operating Temperature | TOP    | 0    | +50  | [°C]  | Note 3     |
| Operation Humidity    | HOP    | 5    | 90   | [%RH] |            |
| Storage Temperature   | TST    | -20  | +60  | [°C]  |            |
| Storage Humidity      | HST    | 5    | 90   | [%RH] |            |



# Product Specification

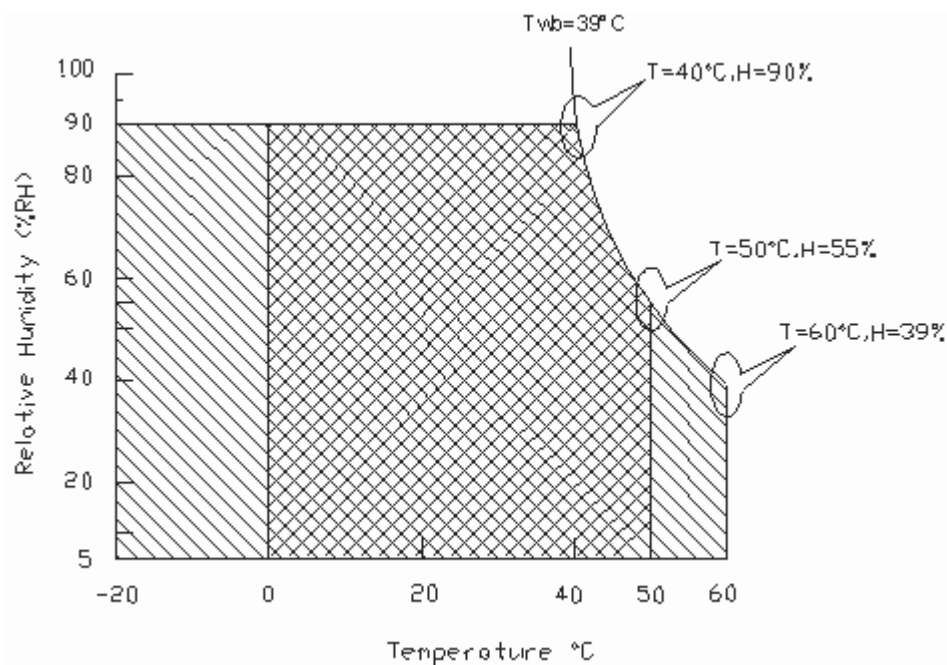
**M190EG01 V3**

AU OPTRONICS CORPORATION

 Note 1: With in  $T_a = 25^\circ\text{C}$ 

Note 2: Permanent damage to the device may occur if exceed maximum values

Note 3: For quality performance, please refer to AUO IIS (Incoming Inspection Standard).



Operating Range



Storage Range





# Product Specification

M190EG01 V3

AU OPTRONICS CORPORATION

## 5. Electrical characteristics

### 5.1 TFT LCD Module

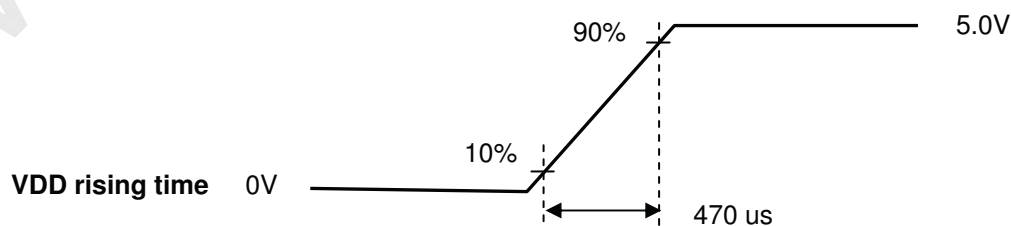
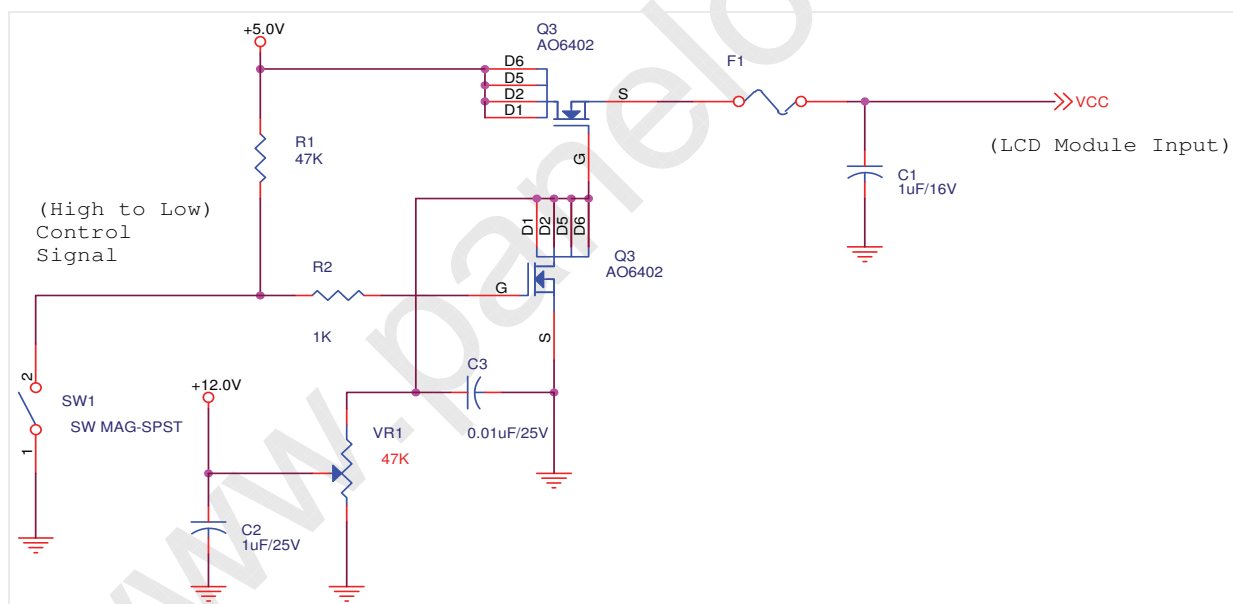
#### 5.1.1 Power Specification

Input power specifications are as follows:

| Symble | Parameter               | Min. | Typ. | Max. | Unit   | Condition                                     |
|--------|-------------------------|------|------|------|--------|-----------------------------------------------|
| VDD    | Logic/LCD Drive Voltage | 4.5  | 5.0  | 5.5  | [Volt] | ±10%                                          |
| IDD    | Input Current           | -    | 1    | 1.2  | [A]    | VDD= 5.0V, All White Pattern At 60Hz          |
| PDD    | VDD Power               | -    | 5    | 6    | [Watt] | VDD= 5.0V, All White Pattern At 60Hz , Note 1 |
| IRush  | Inrush Current          | -    | 2    | 3    | [A]    | Note 2                                        |

Note 1: The variance of VDD power consumption is ±10%.

Note 2: Measurement conditions:





# Product Specification

M190EG01 V3

AU OPTRONICS CORPORATION

## 5.2 Backlight Unit

Parameter guideline for CCFL Inverter is under stable conditions at 25°C (Room Temperature):

| Parameter                             | Min.   | Typ.          | Max.  | Unit       | Condition |
|---------------------------------------|--------|---------------|-------|------------|-----------|
| CCFL Operation Current(IRCFL)         | -      | 7.5           | 8.0   | [mA] rms   | Note 2    |
| CCFL Frequency(FCFL)                  | 40     | 60            | 80    | [KHz]      | Note 3,4  |
| CCFL Ignition Voltage(ViCFL, Ta= 0°C) | -      | -             | 1500  | [Volt] rms | Note 5    |
| CCFL Ignition Voltage(ViCF, Ta= 25°C) | -      | -             | 1200  | [Volt] rms | Note 6    |
| CCFL Operation Voltage (VCFL)         | -      | 690<br>@7.5mA |       | [Volt] rms |           |
| CCFL Power Consumption(PCFL)          | -      | 20.72         | 21.44 | [Watt]     | Note 6    |
| CCFL Life Time(LTCFL)                 | 40,000 | 50,000        | -     | [Hour]     | Note 7    |
|                                       |        |               |       |            |           |

Note 1: Typ. are AUO recommended design points.

- \*1 All of characteristics listed are measured under the condition using the AUO test inverter.
- \*2 In case of using an inverter other than listed, it is recommended to check the inverter carefully. Sometimes, interfering noise stripes appear on the screen, and substandard luminance or flicker at low power may happen.
- \*3 In designing an inverter, it is suggested to check safety circuit very carefully. Impedance of CCFL, for instance, becomes more than 1 [M ohm] when CCFL is damaged.
- \*4 Generally, CCFL has some amount of delay time after applying kick-off voltage. It is recommended to keep on applying kick-off voltage for 1 [Sec] until discharge.
- \*5 Reducing CCFL current increases CCFL discharge voltage and generally increases CCFL discharge frequency. So all the parameters of an inverter should be carefully designed so as not to produce too much leakage current from high-voltage output of the inverter.

Note 2: CCFL standard current is measured at 25±2°C.

Note 3: CCFL discharge frequency should be carefully determined to avoid interference between inverter and TFT LCD.

Note 4: The frequency range will not affect to lamp life and reliability characteristics.

Note 5: CCFL inverter should be able to give out a power that has a generating capacity of over 1200 voltage. Lamp units need 1200 voltage minimum for ignition.

Note 6: The variance of CCFL power consumption is ±10%. Calculator value for reference (ISCFL × VCFL × 4 = PCFL)

Note 7: Definition of life: brightness becomes 50%. The typical life time of CCFL is on the condition at 7.5 mA lamp current.





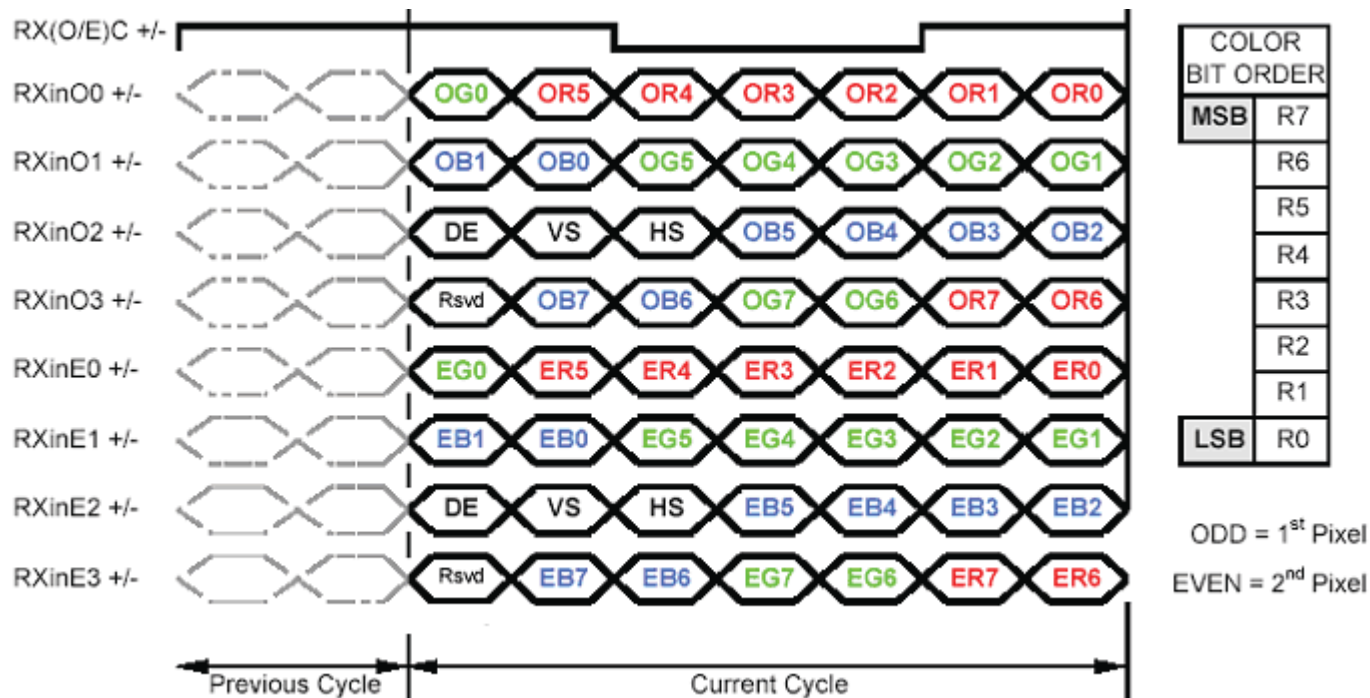


# Product Specification

M190EG01 V3

AU OPTRONICS CORPORATION

## 6.2 The Input Data Format



Note1: Normally, DE, VS, HS on EVEN channel are not used.

Note2: Please follow VESA.

Note3: 8-bit in



# Product Specification

M190EG01 V3

AU OPTRONICS CORPORATION

## 6.3 Signal Description

The module using a pair of LVDS receiver SN75LVDS82(Texas Instruments) or compatible. LVDS is a differential signal technology for LCD interface and high speed data transfer device. Transmitter shall be SN75LVDS83(negative edge sampling) or compatible. The first LVDS port(RxOxxx) transmits odd pixels while the second LVDS port(RxExxx) transmits even pixels.

| PIN # | SIGNAL NAME | DESCRIPTION                                                            |
|-------|-------------|------------------------------------------------------------------------|
| 1     | RxOIN0-     | Negative LVDS differential data input (Odd data)                       |
| 2     | RxOIN0+     | Positive LVDS differential data input (Odd data)                       |
| 3     | RxOIN1-     | Negative LVDS differential data input (Odd data)                       |
| 4     | RxOIN1+     | Positive LVDS differential data input (Odd data)                       |
| 5     | RxOIN2-     | Negative LVDS differential data input (Odd data, H-Sync,V-Sync,DSPTMG) |
| 6     | RxOIN2+     | Positive LVDS differential data input (Odd data, H-Sync,V-Sync,DSPTMG) |
| 7     | VSS         | Power Ground                                                           |
| 8     | RxOCLKIN-   | Negative LVDS differential clock input (Odd clock)                     |
| 9     | RxOCLKIN+   | Positive LVDS differential clock input (Odd clock)                     |
| 10    | RxOIN3-     | Negative LVDS differential data input (Odd data)                       |
| 11    | RxOIN3+     | Positive LVDS differential data input (Odd data)                       |
| 12    | RxEIN0-     | Negative LVDS differential data input (Even data)                      |
| 13    | RxEIN0+     | Positive LVDS differential data input (Even data)                      |
| 14    | VSS         | Power Ground                                                           |
| 15    | RxEIN1-     | Negative LVDS differential data input (Even data)                      |
| 16    | RxEIN1+     | Positive LVDS differential data input (Even data)                      |
| 17    | VSS         | Power Ground                                                           |
| 18    | RxEIN2-     | Negative LVDS differential data input (Even data)                      |
| 19    | RxEIN2+     | Positive LVDS differential data input (Even data)                      |
| 20    | RxECLKIN-   | Negative LVDS differential clock input (Even clock)                    |
| 21    | RxECLKIN+   | Positive LVDS differential clock input (Even clock)                    |
| 22    | RxEIN3-     | Negative LVDS differential data input (Even data)                      |
| 23    | RxEIN3+     | Positive LVDS differential data input (Even data)                      |
| 24    | VSS         | Power Ground                                                           |
| 25    | VSS         | Power Ground                                                           |
| 26    | NC          | No Connection ( for AUO test)                                          |
| 27    | VSS         | Power Ground                                                           |
| 28    | VCC         | +5.0V Power Supply                                                     |
| 29    | VCC         | +5.0V Power Supply                                                     |
| 30    | VCC         | +5.0V Power Supply                                                     |

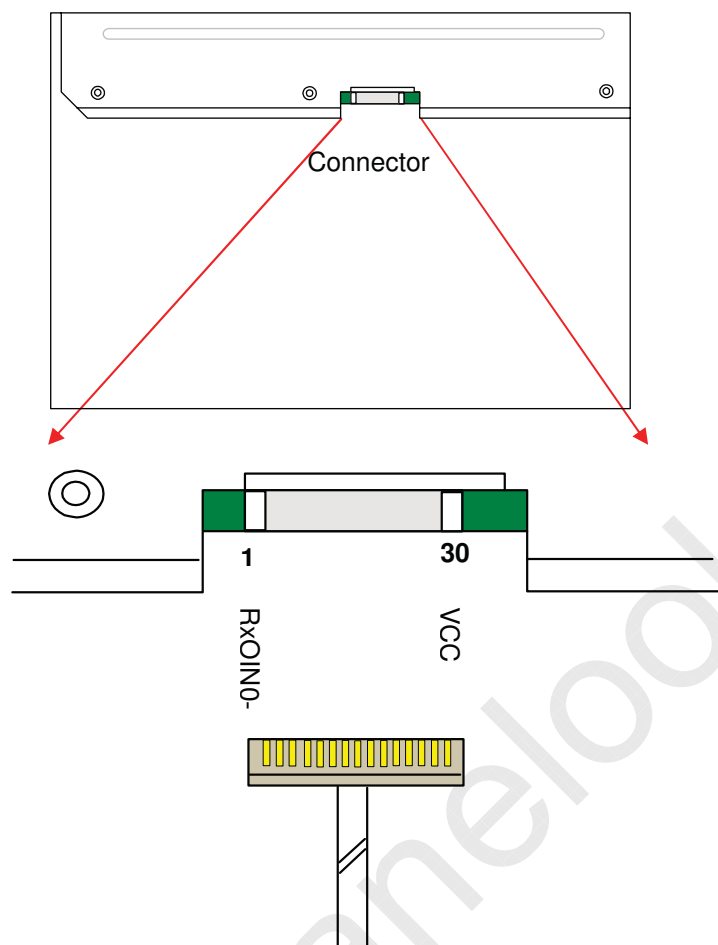


# Product Specification

M190EG01 V3

AU OPTRONICS CORPORATION

Note1: Start from left side



Note2: Input signals of odd and even clock shall be the same timing.

Note3: Please follow PSWG.

## 6.4 Interface Timing

### 6.4.1 Timing Characteristics

Basically, interface timings described here is not actual input timing of LCD module but output timing of SN75LVDS82DGG (Texas Instruments) or equivalent.

| Item       | Symbol       | Min      | Typ  | Max  | Unit |      |
|------------|--------------|----------|------|------|------|------|
| Data CLK   | Tclk         | 30       | 54   | 83   | MHz  |      |
| H-section  | Period       | Th       | 720  | 844  | 1024 | Tclk |
|            | Display Area | Tdisp(h) | 640  | 640  | 640  | Tclk |
| V-section  | Period       | Tv       | 1035 | 1066 | 2048 | Th   |
|            | Display Area | Tdisp(v) | 1024 | 1024 | 1024 | Th   |
| Frame Rate | F            | 50       | 60   | 75   | Hz   |      |

Note : DE mode only

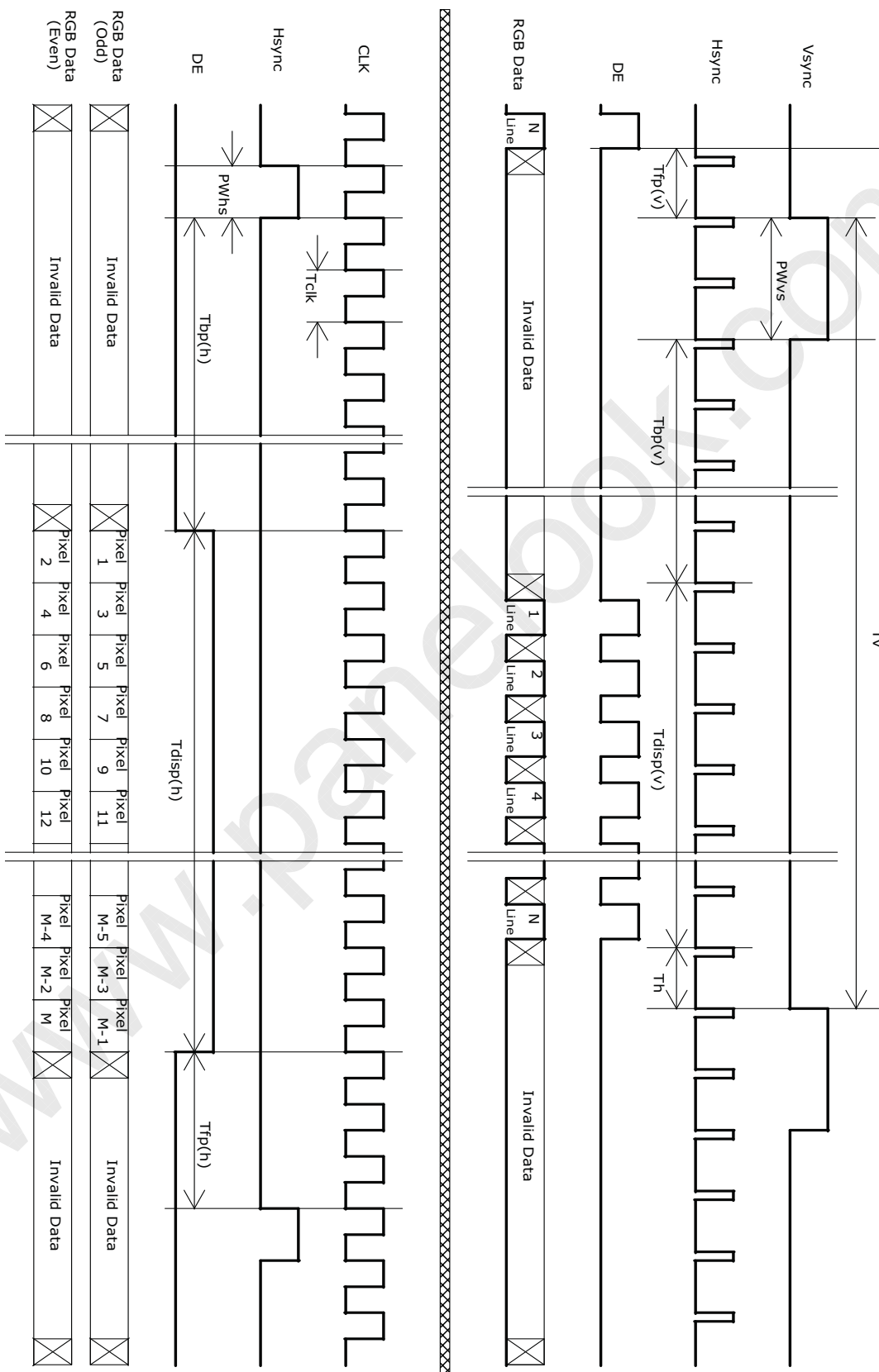


# Product Specification

M190EG01 V3

AU OPTRONICS CORPORATION

## 6.4.2 Timing Diagram





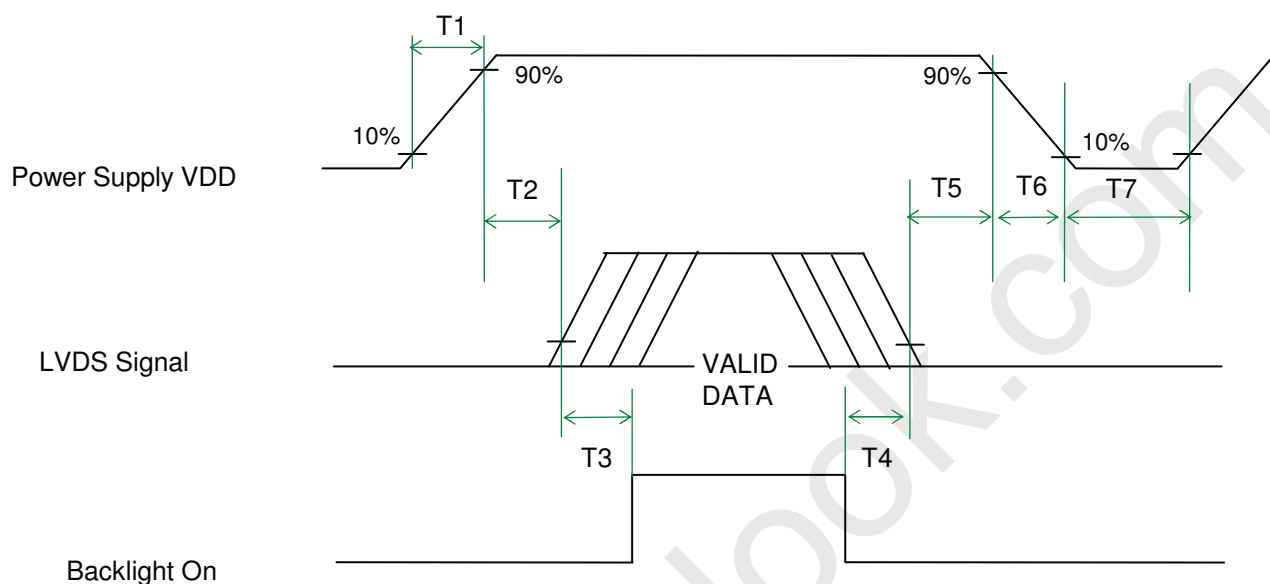
# Product Specification

M190EG01 V3

AU OPTRONICS CORPORATION

## 6.5 Power ON/OFF Sequence

VDD power and lamp on/off sequence is as follows. Interface signals are also shown in the chart. Signals from any system shall be Hi-Z state or low level when VDD is off.



Power Sequence Timing

| Parameter | Value |      |      | Unit |
|-----------|-------|------|------|------|
|           | Min.  | Typ. | Max. |      |
| T1        | 0.5   | -    | 10   | [ms] |
| T2        | 0     | -    | 50   | [ms] |
| T3        | 200   | -    | -    | [ms] |
| T4        | 200   | -    | -    | [ms] |
| T5        | 0     | 16   | 50   | [ms] |
| T6        | -     | -    | 10   | [ms] |
| T7        | 500   | -    | -    | [ms] |

Note: The values of the table are follow VESA.



# Product Specification

M190EG01 V3

AU OPTRONICS CORPORATION

## 7. Connector & Pin Assignment

Physical interface is described as for the connector on module. These connectors are capable of accommodating the following signals and will be following components.

### 7.1 TFT LCD Module

#### 7.1.1 Connector

|                              |                                      |
|------------------------------|--------------------------------------|
| Connector Name / Designation | Interface Connector / Interface card |
| Manufacturer                 | JAE or compatible                    |
| Type Part Number             | FI-XB30SSL-HF15                      |
| Mating Housing Part Number   | FI-X30HL                             |

#### 7.1.2 Pin Assignment

| Pin# | Signal Name | Pin# | Signal Name |
|------|-------------|------|-------------|
| 1    | RxOIN0-     | 2    | RxOIN0+     |
| 3    | RxOIN1-     | 4    | RxOIN1+     |
| 5    | RxOIN2-     | 6    | RxOIN2+     |
| 7    | VSS         | 8    | RxOCLKIN-   |
| 9    | RxOCLKIN+   | 10   | RxOIN3-     |
| 11   | RxOIN3+     | 12   | RxEIN0-     |
| 13   | RxEIN0+     | 14   | VSS         |
| 15   | RxEIN1-     | 16   | RxEIN1+     |
| 17   | VSS         | 18   | RxEIN2-     |
| 19   | RxEIN2+     | 20   | RxECLKIN-   |
| 21   | RxECLKIN+   | 22   | RxEIN3-     |
| 23   | RxEIN3+     | 24   | VSS         |
| 25   | VSS         | 26   | NC          |
| 27   | VSS         | 28   | VCC         |
| 29   | VCC         | 30   | VCC         |



# Product Specification

M190EG01 V3

AU OPTRONICS CORPORATION

## 7.2 Backlight Unit

Physical interface is described as for the connector on module. These connectors are capable of accommodating the following signals and will be following components.

|                              |                                 |
|------------------------------|---------------------------------|
| Connector Name / Designation | Lamp Connector / Backlight lamp |
| Manufacturer                 | JST                             |
| Type Part Number             | BHSR-02VS-1                     |
| Mating Type Part Number      | SM02B-BHSS-1-TB                 |

### 7.2.1 Signal for Lamp connector

|       | Connector No. | Pin No. | Input | Color | Function     |
|-------|---------------|---------|-------|-------|--------------|
| Upper | CN1           | 1       | Hot1  | Pink  | High Voltage |
|       |               | 2       | Cold1 | Black | Low Voltage  |
|       | CN2           | 1       | Hot2  | Blue  | High Voltage |
|       |               | 2       | Cold2 | White | Low Voltage  |

|       | Connector No. | Pin No. | Input | Color | Function     |
|-------|---------------|---------|-------|-------|--------------|
| Lower | CN3           | 1       | Hot1  | Pink  | High Voltage |
|       |               | 2       | Cold1 | Black | Low Voltage  |
|       | CN4           | 1       | Hot2  | Blue  | High Voltage |
|       |               | 2       | Cold2 | White | Low Voltage  |





# Product Specification

M190EG01 V3

AU OPTRONICS CORPORATION

## 8. Reliability Test

Environment test conditions are listed as following table.

| Items                             | Required Condition                                                                                            | Note |
|-----------------------------------|---------------------------------------------------------------------------------------------------------------|------|
| Temperature Humidity Bias (THB)   | Ta= 50°C, 80%RH, 300hours                                                                                     |      |
| High Temperature Operation (HTO)  | Ta= 50°C, 300hours                                                                                            |      |
| Low Temperature Operation (LTO)   | Ta= 0°C, 300hours                                                                                             |      |
| High Temperature Storage (HTS)    | Ta= 60°C, 300hours                                                                                            |      |
| Low Temperature Storage (LTS)     | Ta= -20°C, 300hours                                                                                           |      |
| Vibration Test<br>(Non-operation) | Acceleration: 1.5 G<br>Wave: Random<br>Frequency: 10 - 200 - 10 Hz<br>Sweep: 30 Minutes each Axis (X, Y, Z)   |      |
| Shock Test<br>(Non-operation)     | Acceleration: 50 G<br>Wave: Half-sine<br>Active Time: 20 ms<br>Direction: ±X, ±Y, ±Z (one time for each Axis) |      |
| Drop Test                         | Height: 60 cm, package test                                                                                   |      |
| Thermal Shock Test (TST)          | -20°C/30min, 60°C/30min, 100 cycles                                                                           | 1    |
| On/Off Test                       | On/10sec, Off/10sec, 30,000 cycles                                                                            |      |
| ESD (ElectroStatic Discharge)     | Contact Discharge: ± 8KV, 150pF(330Ω ) 1sec,<br>8 points, 25 times/ point.                                    | 2    |
|                                   | Air Discharge: ± 15KV, 150pF(330Ω ) 1sec<br>8 points, 25 times/ point.                                        |      |
| Altitude Test                     | Operation:10,000 ft<br>Non-Operation:30,000 ft                                                                |      |

Note 1: The TFT-LCD module will not sustain damage after being subjected to 100 cycles of rapid temperature change. A cycle of rapid temperature change consists of varying the temperature from -20°C to 60°C, and back again. Power is not applied during the test. After temperature cycling, the unit is placed in normal room ambient for at least 4 hours before power on.

Note 2: According to EN61000-4-2 , ESD class B: Some performance degradation allowed. No data lost. Self-recoverable. No hardware failures.



# Product Specification

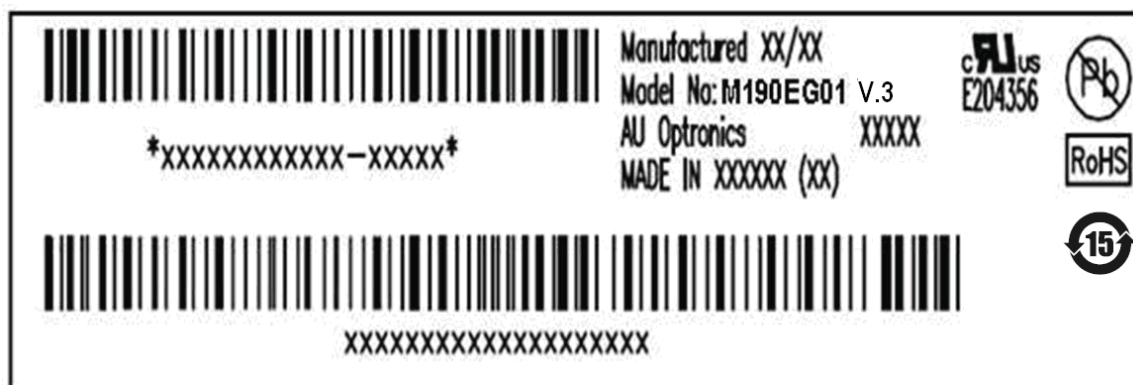
M190EG01 V3

AU OPTRONICS CORPORATION

## 9. Label and Packaging

### 9.1 Shipping Label (on the rear side of TFT-LCD display)

The shipping label format is shown as below.

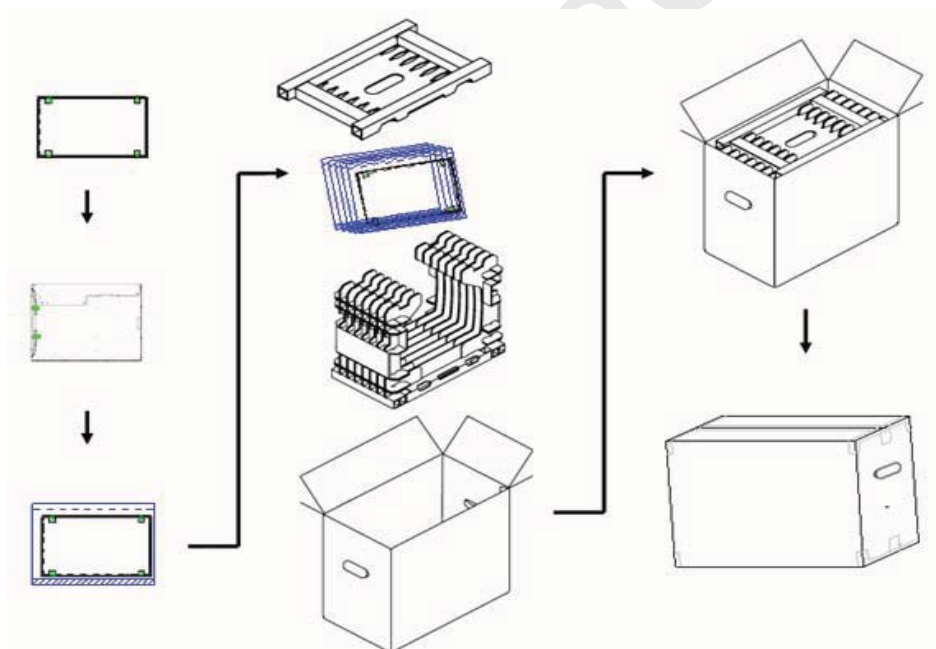


### 9.2 Carton Package

Max capacity : 6 TFT-LCD module per carton

Max weight: 17 kg per carton

Outside dimension of carton: 468(L)mm\*266(W)mm\*398(H)mm



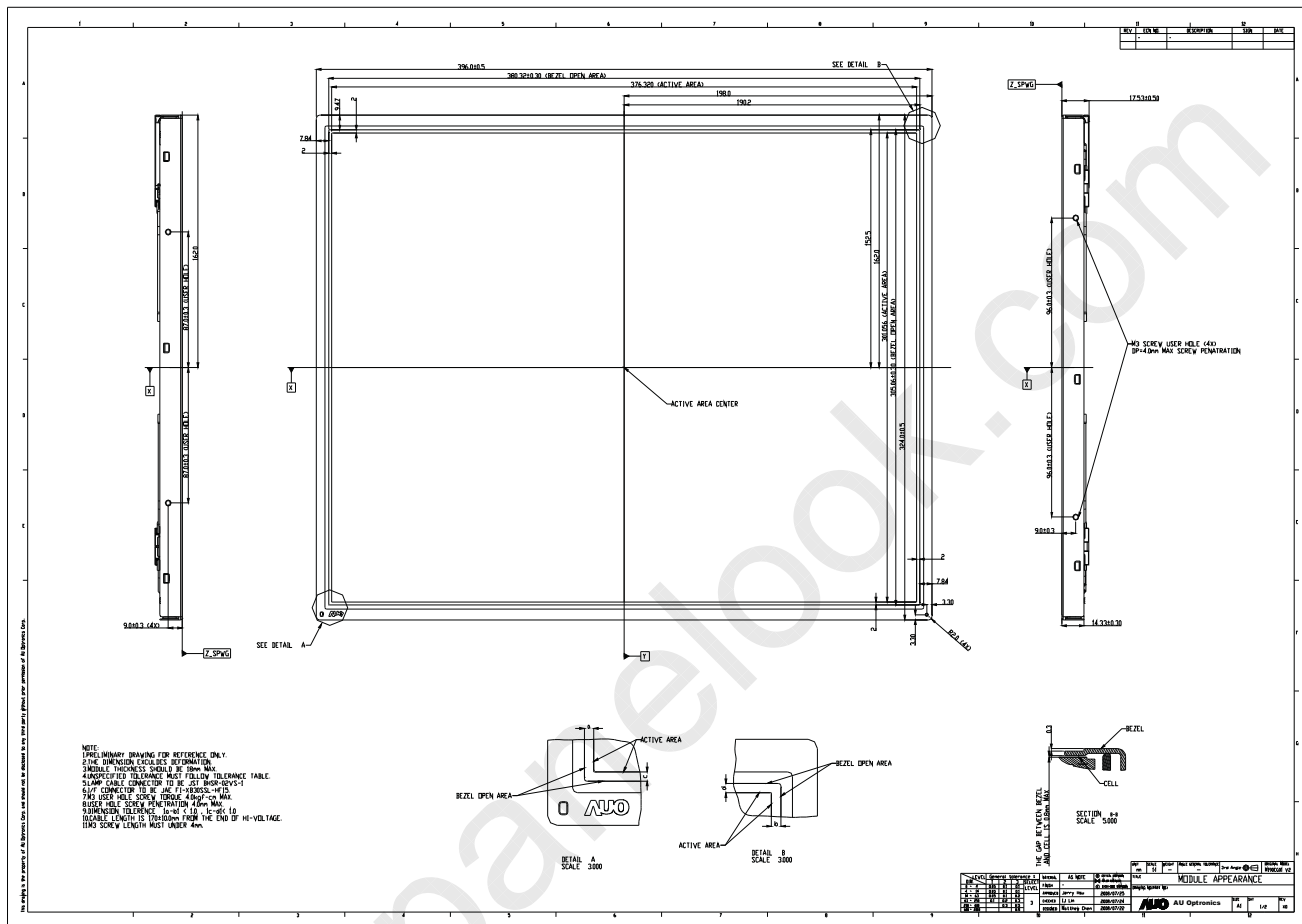


# Product Specification

M190EG01 V3

AU OPTRONICS CORPORATION

## 10. Mechanical Characteristic





# Product Specification

M190EG01 V3

AU OPTRONICS CORPORATION

